

Application

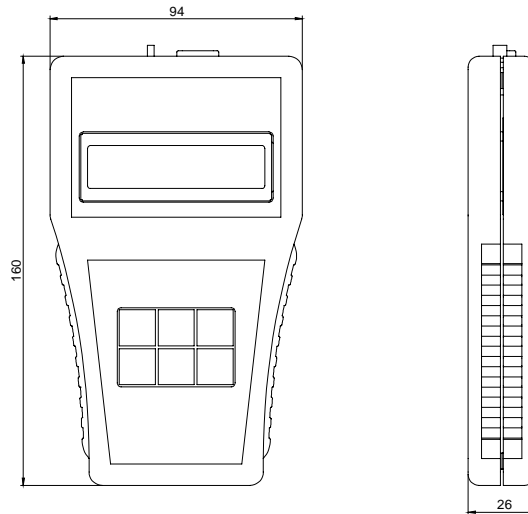
Drive Remote Control Panel (DRCP) device is intended for monitoring and adjustment of Solar Power Control System (SPCS) drives. It implements user-friendly plug & play design for quick connection and service activities.

DRCP is a compact pocket size and lightweight device, which eliminates the need for a PC or laptop. You can easily connect with the drive to adjust and monitor different parameters or maintain the drive system.

Technical Data

Type	DRCP
General Data	
Ingress Protection Degree	IP20
Operation Temperature	-20°C / + 55°C
Display	LCD / 16 characters x 2 lines / STN Negative / Blue Transmissive
Operator Keypad	6 buttons – [Up], [Down], [Escape], [Data/Enter], [Start], [Stop]
Communication	RS 232/485 / MODBUS RTU
Power Supply	5Vdc / 100mA _(max) /self-supplied from SPCS/H frequency converter communication connector/

Dimensions



DRCP Overall Dimensions, [mm]

Contacts


Economic Zone – Bozhurishte,
6 Valery Petrov str., POB 23,
2227 Bozhurishte, Bulgaria

Tel.: + (359 2) 862 14 06; 868 70 65
Fax: + (359 2) 962 52 63
E-Mail: office@elinvent.com
Web site: <http://www.electroinvent.com/>